



Comply with ErP Directive 2009/125/CE and EU Regulation 327/2011
Classification: FAN

- High extract performance for polluted premises, ideal for commercial environments.
- Suitable for wall, double window and double glazed window installation (accessories upon request).
- 9" and 12" (automatic versions) are suitable for reverse running.
- IPX4 on external part only.



PERFORMANCE

MODELS	m ³ /h	l/s	Pa	W	dB (A)**	MARKED
VITRO 6/150 LC-M	200	56	36	24	40	Ⓜ
VITRO 6/150 LC-A	200	61	36	28	40	Ⓜ
VITRO 6/150 P-M	300	83	74	40	48	Ⓜ
VITRO 6/150 P-A	300	83	74	40	48	Ⓜ
VITRO 9/230 LC-M	600	167	42	29	50	-
VITRO 9/230 LC-AR	*600 / 374	167 / 104	42 / 35	29	50	-
VITRO 9/230 P-M	700	194	52	43	50	Ⓜ
VITRO 9/230 P-AR	*700 / 400	194 / 111	55	46	50	Ⓜ
VITRO 12/300 AR	*1,400 / 800	389 / 222	83	84	59	Ⓜ

* Extract / Intake

** Lp(A) measured at 3m in open field 230V-50Hz.

VERSIONS



MANUAL - Pull cord switch



AUTOMATIC - Automatic electrical opening of the shutter. On/Off via light/remote switch



AUTOMATIC REVERSIBLE - Automatic electrical opening of the shutter. On/Off via light/remote switch. + Reversible air flow through reversible speed controller RVS/R

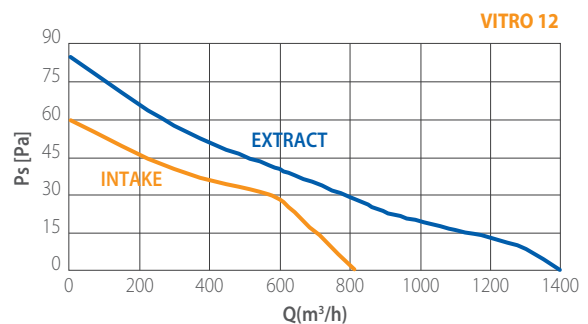
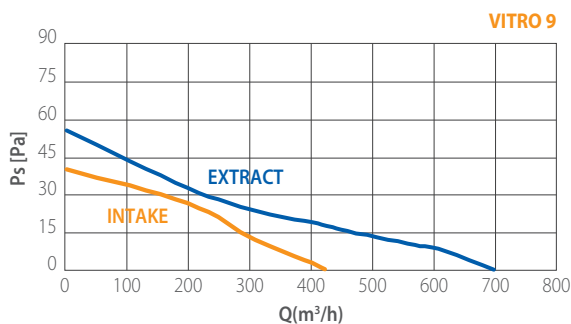
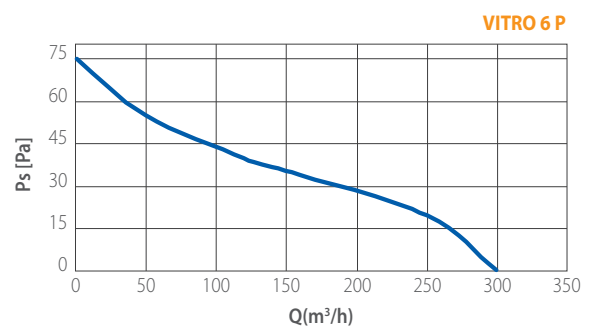
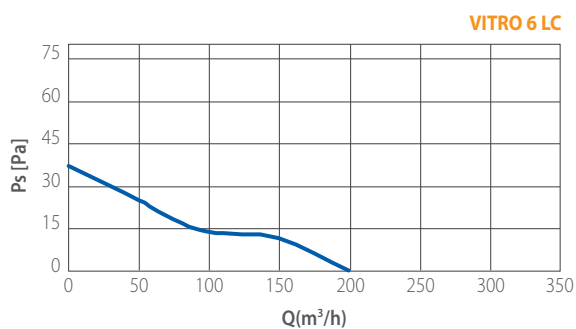


POTENTIATED - Potentiated motor for higher airflow performance



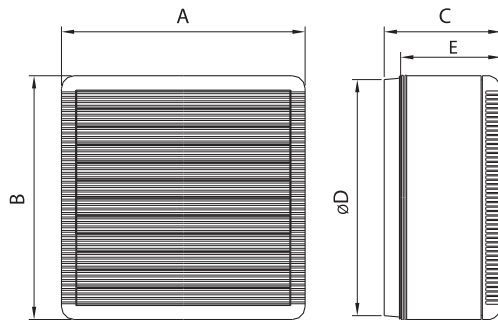
LOW CAPACITY - (LCM - Low capacity Manual / LC-AR Low capacity Automatic Reversible)

CURVES





DIMENSIONS (mm)



MODELS	A	B	C	ØD	E	Kg.
VITRO 6/150	195	195	126	184+188	102	1,7
VITRO 9/230	287	287	138	254+258	122	3,5
VITRO 12/300	364	364	162	324+329	137	5



Thermoactuator for the electrical opening of the grille.



Pull cord switch version.

INSTALLATION

