



Comply with ErP Directive 2009/125/CE  
and UE Regulation 1253/2014

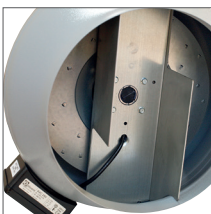
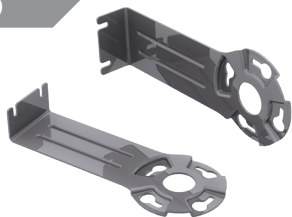
AXC 100-125-150 EC:  
Residential Ventilation Unit

AXC 160-200-250-315 EC:  
Non Residential Ventilation Unit

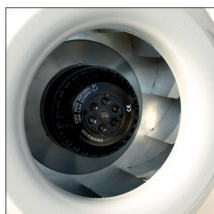
- High performance and high efficiency centrifugal fans for in-line duct installation.
- Easy and cost-effective solution for a centralized ventilation requirement.
- Complete range: 7 models available in sizes  $\varnothing$  100 to 315 mm.
- Vertical or horizontal installation.
- Steel housing with epoxy finish inside and outside.
- Supplied with wall fixing brackets.
- Suitable for clean air at max temperature of  $+60^{\circ}\text{C}$
- Ball bearing EC motor and backward curved blades provided with air rectifiers.
- Impeller in technopolymer. Satically and dynamically balanced according to ISO 1940.
- Suitable for continuous running.
- Speed controllable.

### SUPPLIED

Wall fixing brackets



Air rectifiers



Backward curved blades



### PERFORMANCE

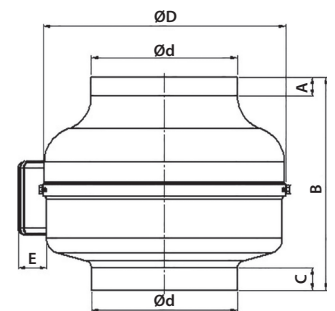
Model	m <sup>3</sup> /h	l/s	Pa	W	A	dB(A)**
AXC 100 EC *	320	89	673	77	0,7	39
AXC 125 EC *	403	112	626	77	0,7	39
AXC 150 EC *	481	134	505	77	0,7	39
AXC 160 EC	695	193	471	85	0,8	33
AXC 200 EC	866	241	461	85	0,8	37
AXC 250 EC	855	238	438	85	0,8	35
AXC 315 EC	1300	361	584	175	1,5	38

\* ERP 2018 specifications: models to be installed preferably in conjunction with the local regulation EC kit.

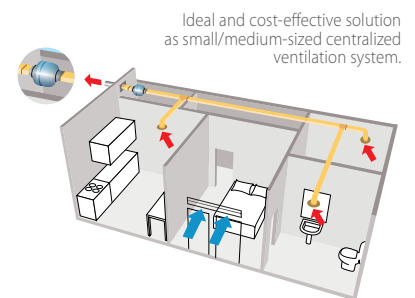
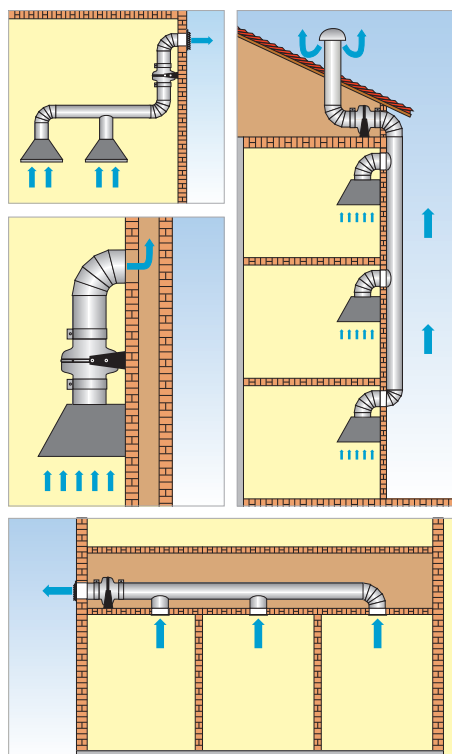
\*\* Sound pressure level calculated at 3m free field

### DIMENSIONS (mm)

TIPO	A	B	C	$\varnothing D$	$\varnothing d$	E	Kg
AXC 100 EC	12	215	24	245	98	38	3
AXC 125 EC	11	215	24	245	122	38	3
AXC 150 EC	21	216	23	245	147	38	3
AXC 160 EC	21	230	22	333	158	38	5
AXC 200 EC	22	230	27	333	198	38	5
AXC 250 EC	22	230	35	333	248	38	5
AXC 315 EC	30	297	52	404	314	38	8



### INSTALLATION



Ideal and cost-effective solution as small/medium-sized centralized ventilation system.



## CURVES

